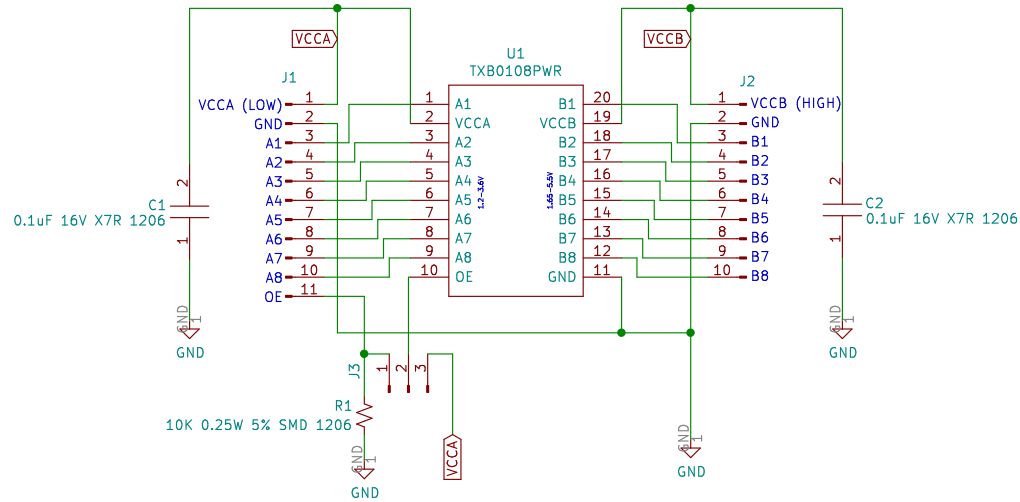


-  H1 MountingHole
-  H2 MountingHole
-  H3 MountingHole
-  H4 MountingHole



Same Day Rules
No time like the present...

Company: Same Day Rules
File: levelshifter.sch

Title: Level Shifter TXB0108PWR ©2022

Size: A Date: 2022-06-02
KiCad E.D.A. kicad (5.1.10)-1

Rev: v1.0
Id: 1/1